



MAJORITY

User Guide

Majority Madingley Rise
Bedside DAB Docking Station
CB30-DAB-WHT/BLK

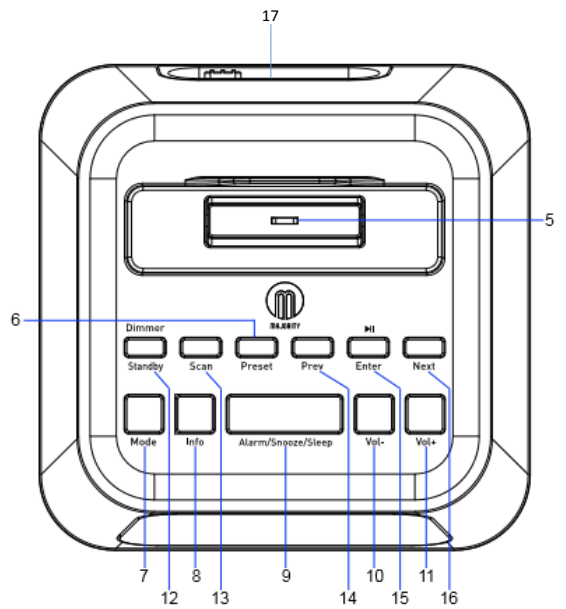
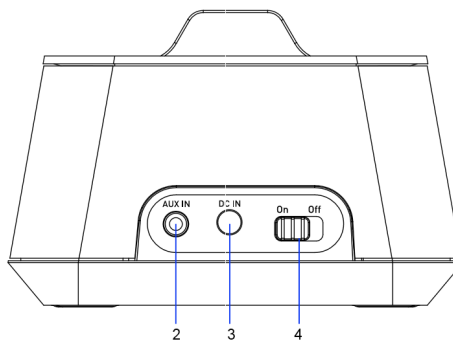
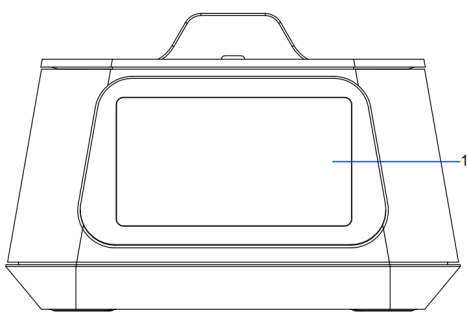


Video step by step guidance also available online at www.majoritytech.co.uk

INDEX

1. Index
2. Controls and Functions
3. “What’s in the box?” and Basic Operation
4. DAB Radio Mode
5. Set up of the DAB Radio Preset Stations
6. FM Radio Mode
7. Set up of the FM Radio Preset Stations
8. iPod/iPhone Mode
9. Aux-In and Dual USB Ports
10. Clock Setting and Dual Alarm Setting
11. Alarm Sound and Snooze
12. Sleep Setting, Display Brightness and System Reset
13. Technical Specifications and Warranty
14. Important Safety Information

Controls and Functions



- 1. LCD Display
- 2. Aux-In jack
- 3. DC IN 9v jack – wall plug
- 4. Power On/Off
- 5. Dock
- 6. Preset button
- 7. Mode

- 8. Info
- 9. Alarm/Snooze/Sleep
- 10. Volume Down -
- 11. Volume Up +
- 12. Dimmer/Standby
- 13. Scan
- 14. Previous/Back Button

- 15. Enter/Pause
- 16. Next/Forward
- 17. Antenna

“What’s in the box?”/Basic Operation

“What’s in the box?”

- Majority Madingley Bedside DAB Docking Station
- UK Standard Plug DC 9v Power Supply
- Instructions Guide

Please note all (Ref.) refer to Page 2 Controls and Functions mapping guide.

Basic Operation

- Plug the connector into the back of the system labelled DC IN (Ref.3) and the power supply plug into the mains.
- Power Supply ON/OFF at back of system (Ref.4).This display will show “Welcome to Digital Radio” and go into standby showing the clock.
- Fully extend the antenna (Ref.17) so that it can rotate to get the best DAB or FM signal.
- Press and hold the ‘Standby/Dimmer’ button to turn on the unit (Ref.12). The system will go straight into auto tuning the DAB radio station - this may take a few minutes.
- Press the ‘Mode’ button multiple times (Ref.7) to switch to “FM”, “iPod” or “AUX-IN”.

Standby

- To change the music system back into standby, press and hold the ‘Standby/Dimmer’ button (Ref.12). To turn off fully, press the button on rear of the unit (Ref.4) and switch off at the mains. The cord must be out of reach of children.

DAB Radio Mode

DAB Radio

- Press and hold the 'Standby/Dimmer' button (Ref.12).
- Pull up the antenna (Ref.17).
- Then press the 'Mode' button (Ref.7) to choose your options. Choose "DAB" if not already in this mode.
- The system will auto-scan on first use, but if you wish to re-scan press the 'Scan' button (Ref.13) and then release.
- The radio will automatically save all the stations with a strong signal.
- After searching has finished it will automatically play the first station stored.
- If there is no signal then "No Signal" will be displayed.
- To listen to the tuned in stations press 'Next' (Ref.16) to search forward and 'Prev' (Ref.14) to search back.
- In DAB Mode, the radio will synchronize with the time and date of the station.
- In DAB Mode press the 'Info' button (Ref.8) multiple times to display Dynamic Label Segment (Supplementary data service in text form), station name, time and date, frequency, bit rate or signal quality.

IMPORTANT NOTE: PLEASE MAKE SURE YOU HAVE EXTENDED THE ANTENNA TO ITS FULL LENGTH (Ref.17). THIS WILL ENABLE YOU TO ROTATE IT TO GET THE BEST SIGNAL.

Set Up of the DAB Radio Preset Stations

Preset a radio station – up to 10 preset stations can be set

To store a station that you are currently playing:

- Press and hold 'Preset' button (Ref.6).
- "Preset Empty 1" the number "1" will flash on the display.
- Press 'Prev' button (Ref.14) or 'Next' (Ref.16) to change the "1" to the number you want to store the station as.
- Then press 'Enter' (Ref.15) to save. The display will then show "Preset 1 Stored".

To recall a preset radio station

- Press the 'Preset' (Ref.6) button to scroll through the preset choices using the 'Prev' button (Ref.14) or 'Nex' (Ref.16) to scroll through your preset options (1 to 10). Press 'Enter' (Ref.15) to select your option.

FM Radio Mode

FM Radio

- Press the 'Standby/Dimmer' button (Ref.12).
- Then press the 'Mode' button (Ref.7) to switch to "FM". The first time you do this, FM frequency "87.5 MHz" will be displayed on the screen.
- Pull up the antenna (Ref.17).
- To auto-scan press the 'Scan' button (Ref.13) to search stations. Scan will stop automatically and play the first station it finds. Press and hold the 'Scan' button (Ref.13) to search for stations on a lower frequency.
- In FM Mode press the 'Info' button (Ref.8) multiple times to display Radio Data System, audio type, station frequency, time and date, signal quality, program text and program type information.
- In FM Mode, when receiving RDS information, the radio will synchronize with the time and date of the station automatically.

To tune a specific frequency

- To listen to a specific frequency, press and hold 'Next' (Ref.16) to search forward quickly and 'Prev' (Ref.14) to search back quickly. It will stop searching when the button is released. To do this slowly press the buttons multiple times rather than hold.

Mono and Auto

- To change between Mono and Auto press the 'Enter' button (Ref.15).

IMPORTANT NOTE: PLEASE MAKE SURE YOU HAVE EXTENDED THE ANTENNA TO ITS FULL LENGTH (Ref.17). THIS WILL ENABLE YOU TO ROTATE IT TO GET THE BEST SIGNAL.

Set Up of the FM Radio Preset Stations

Preset a radio station – up to 10 preset stations can be set

To store a station that you are currently playing:

- Press and hold 'Preset' button (Ref.6).
- "Preset Empty 1" the number "1" will flash on the display.
- Press 'Prev' button (Ref.14) or 'Next' (Ref.16) to change the "1" to the number you want to store the station as.
- Then press 'Enter' (Ref.15) to save. The display will then show "Preset 1 Stored".

To recall a preset radio station

- Press the 'Preset' (Ref.6) button to scroll through the preset choices using the 'Prev' button (Ref.14) or 'Next' (Ref.16) to scroll through your preset options (1 to 10). Press 'Enter' button (Ref.15) to select your option.

iPod Mode

iPod Mode

- Press and **hold** the 'Standby' button (Ref.12).
- Then press the 'Mode' button multiple times (Ref.7) to switch to "iPod".
- Ensure that your iPhone or iPod is connected via the connector on top of the system (Ref.5). If it is not connected the display will show "iPod Disconnected".
- Once your iPhone/iPod is connected you can then play your music.
- Choose your music selection from you phone and then you can use the controls on the system.
- Press 'Next' (Ref.16) to go to next track and 'Prev' (Ref.14) to play previous track.
- Press 'Enter' (Ref.15) to play or pause the track.
- Press and **hold** 'Next' (Ref.16) to fast forward a track or press and **hold** 'Prev' (Ref.14) to rewind the track. On release the track will start playing.

Aux-In and Dual USB Ports

Aux-In Port

- You can connect your phone or tablet with an Aux 3.5mm cable that connects to the Aux-In jack (Ref.2).
- Press and **hold** the 'Standby/Dimmer' button (Ref.12).
- Then press the 'Mode' button multiple times (Ref.7) to switch to "AUX-IN".
- Insert the audio cable, then you will be able to play your music via your phone or tablet.

Charging your phone

- The system will charge your phone when in Standby or iPod/iPhone mode. Remove iPod/iPhone to list to DAB or FM Radio.

Clock Setting and Dual Alarm Setting

Clock Setting

- The clock will automatically set after being tuned to DAB or FM Radio.

Alarm1 Setting/Alarm2 Setting

- The radio can be in standby or working mode.
- Press 'Alarm/Snooze/Sleep' button (Ref.9) once to set ALARM1, press twice to set ALARM2.
- Once you have chosen Alarms 1 or 2 "OFF" will flash on the left hand side bottom of the screen. Change this to "ON" using the 'Next' button (Ref.16). Press the 'Enter' (Ref.15).
- The hour will flash. Press 'Prev' (Ref.14) or 'Next' (Ref.16) to choose the hour of the time you want the alarm to sound on. Press 'Enter' (Ref.15) to confirm.
- Then do the same for the minutes (now flashing on the display) using the 'Prev' (Ref.14) or 'Next' (Ref.16) button to choose the minutes of the time you want the alarm to sound. Press 'Enter' (Ref.15) to confirm.
- The sound option will then flash at the bottom of the display screen. The choices are "BEEP Tone1", "BEEP Tone2", "DAB", "FM" or "iPod". Use 'Prev' (Ref.14) or 'Next' (Ref.16) to move between the options. Confirm your option by pressing the 'Enter' button (Ref.15).
- To turn either alarm off, follow the above instructions and choose "OFF".

Alarm Sound and Snooze

Alarm Sound

- If the alarm is set to “FM” mode it will play FM Station same for DAB or iPod. If there is no radio signal or phone in the dock the system will default to the BEEP Tone1.
- If two alarms are set, when ALARM1 is sounding and ALARM 2 begins to sound, it will automatically turn off ALARM1.
- Alarm will sound for a maximum of 60 minutes if not manually turned off.
- If an alarm is sounding via the iPod/iPhone and the phone is removed from the docking station the alarm will stop.
- The volume of the alarm, whichever mode is selected, will sound to half of the maximum volume.

Snooze/Switch off alarm when sounding

- When the alarm sounds, press the ‘Alarm/Snooze/Sleep’ button (Ref.9) to snooze the alarm for 5 minutes. You can keep snoozing every 5 minutes for up to an hour.
- If ALARM1 is snoozed, then ALARM2 will also be snoozed.
- To turn the alarm off completely, press and hold the ‘Standby/Dimmer’ button (Ref.12) for a few seconds.

Sleep Setting, Display Brightness & System Reset

Sleep Setting – this enables you to programme the radio to switch off at a set time of up to 90 minutes.

- In working mode (listening to FM Radio/Aux-Input), press and hold the 'Alarm/Snooze/Sleep' button (Ref.9) for 1 second and release.
- "Sleep Timer" will be displayed on the display and "OFF/15,30,45,60,90" will flash.
- Scroll through your options by pressing 'Prev' button (Ref.14) or 'Next' (Ref.16) to see your options. "15mins/30mins/45mins/60mins/90mins or OFF".
- When your choice is displayed, press 'Enter' (Ref. 15) and the system will automatically start the timer. The display will show (for example) "S30" on the right hand side – 30 minutes until the system will automatically turn off. A countdown will commence, "S29", "S28" ... on the front display (Ref. 1).
- To turn it off follow the above instructions and choose "OFF" from the choices.

Display Brightness

- To change the display brightness press the 'Standby/Dimmer' button (Ref.12). **Do not hold**. To adjust the screen brightness, press multiple times to view the different levels of brightness.

System Reset

- In working mode i.e. DAB,FM Radio (not standby), press and hold the 'Mode' button (Ref.7) for 3 seconds and the radio will display "Press Enter Key to Reset".
- Press the 'Enter' button (Ref.15). The display will show System Reset.

Technical Specification and Warranty

Technical Specification

Power supply: 100-240V AC INPUT DC_OUTPUT 5.9V/2.5A

Mode: DAB/DAB+(BAND III 5A-13F), FM(87.5MHz), iPod, Aux-In.

Output Power:1.5W X 2

Standby Mode: Show Clock

LCD: Black background white fonts, negative LCD.

Warranty

All products come with a standard 12 month warranty. All items must be registered on www.majoritytech.co.uk for the warranty to be valid. Once on the web page, use the menu to find "register your product". You will also be given the chance to extend your warranty for an additional 12 months, free of charge.

IMPORTANT SAFETY INFORMATION

1. Read these instructions.
2. Keep these instructions . Instructions are also available for download at www.majoritytech.co.uk
3. Heed all warnings.
4. Follow all instructions.
5. Do not clean the apparatus near water.
6. Clean only with a dry cloth.
7. Do not block any ventilation openings. Install in accordance with the manufacturer's instructions.
8. Do not install near any heat sources such as radiators, heat registers, stoves, or other apparatus (including amplifiers) that produce heat.
9. Protect the power cord from being walked on or pinched particularly at plugs, convenience receptacles, and the point where they exit from the apparatus.
10. Only use attachments/accessories specified by the manufacturer.
11. Unplug this apparatus during light storms or when unused for long periods of time.
12. Refer all servicing to qualified service personnel. Servicing is required when the apparatus has been damaged in any way, such as power-supply cord or plug is damaged, liquid has been spilled or objects have fallen into the apparatus, the apparatus has been exposed to rain or moisture, does not operate normally or has been dropped.

13. No naked flame sources, such as lit candles, should be placed on the apparatus.
14. Dispose of used electrical products and batteries safely according to your local authority and regulations.

ADDITIONAL WARNINGS

- The apparatus should not be exposed to dripping or splashing and no objects filled with liquid, such as vases, shall be placed on apparatus.
- Main plug is used to disconnect device and it should remain readily operable during intended use. In order to disconnect the apparatus from the main mains completely, the mains plug should be disconnected from the main socket outlet completely.
- Battery should not be exposed to excessive heat such as sunshine, fire or the like.

RECYCLING ELECTRICAL PRODUCTS

You should now recycle your waste electrical goods and in doing so help the environment. This symbol means an electrical product should not be disposed of with normal household waste. Please ensure it is taken to a suitable facility for disposal when finished with.



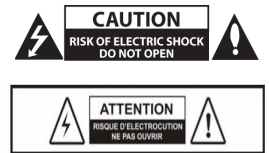
The lightning flash with arrowhead symbol, within an equilateral triangle is intended to alert the user to the presence of uninsulated dangerous voltage within the product's enclosure that may be of sufficient magnitude to constitute a risk of electric shock.



The exclamation point within an equilateral triangle is intended to alert the user to the presence of important operating and maintenance (servicing) instructions in the literature accompanying the product.



This symbol indicates that this product incorporates double insulation between hazardous main voltage and user accessible parts. When servicing, use only identical replacement parts.



IMPORTANT: Please read all instructions carefully before use and keep for future reference

14